

# WX

SERIES

WHEELED EXCAVATORS

**WX210** INDUSTRIAL VERSION

**CASE**  
CONSTRUCTION



## HYDRAULICALLY LIFTING DELUXE CAB

The cab can be lifted hydraulically by up to 5.6 m and, because of an articulated parallelogram design, stopped at any intermediate height, thus giving maximum visibility of working area.

In addition it has been designed with operator comfort in mind: spacious, noise insulated, with an outstanding all-round and upward visibility. Additional options, offered on request: fixed height cab, in two configurations:

- height increase = 800 mm
- height increase = 1300 mm

## HEAVY DUTY UNDERCARRIAGE

The robust, torsion free undercarriage is robot-welded and offers the optimum support to the stabilisers thus giving the machine maximum stability in all working positions.

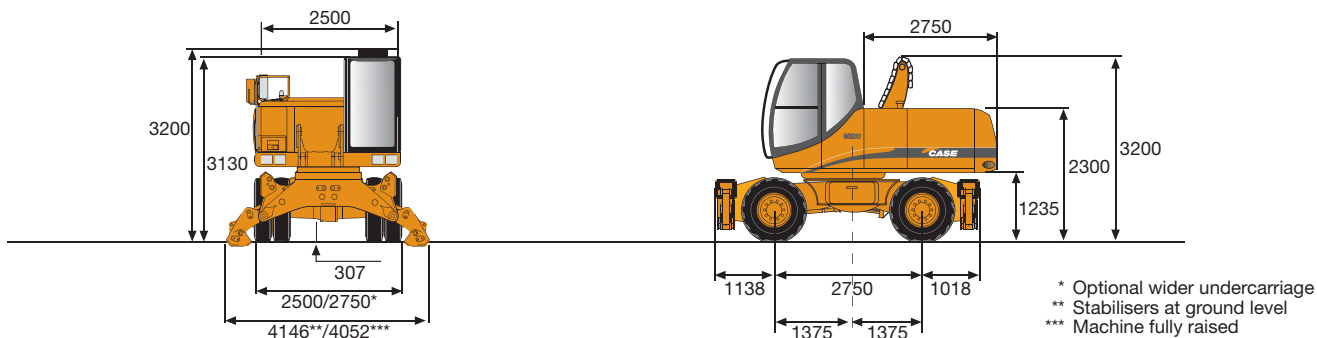
The machine is offered in two versions:

- Standard undercarriage width = 2.50 m
- Optional HD undercarriage width = 2.75 m

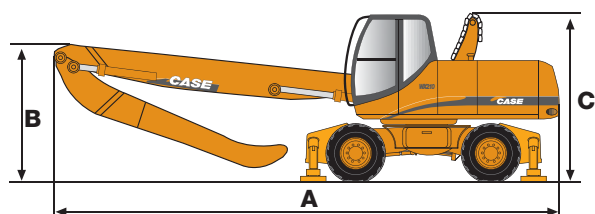
## EFFICIENT HYDRAULIC SYSTEM

An intelligent electronic control and monitoring system of the three hydraulic pumps ensures 100% utilisation of the engine output at all times, without the possibility of overload.

## MAIN DIMENSIONS



## TRANSPORT DIMENSIONS



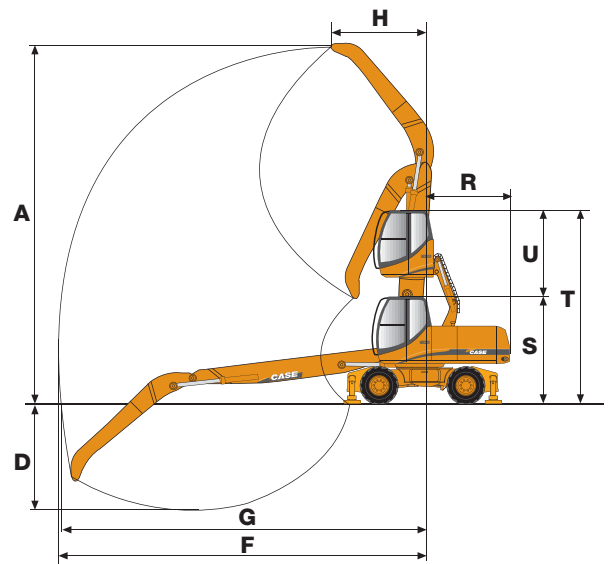
**BOOM 6.80 m**  
**DIPPER**  
**5.20 m 3.80 m**

<b>A</b> Overall length of excavator	mm	10036	10107
<b>B</b> Height to top of boom	mm	3200	2184
<b>C</b> Height to top of lifting cab linkage	mm	3200	3200

## WORKING RANGE

BOOM 6.80 m		
DIPPER		
	5.20 m	3.80 m

<b>A</b> Max. height	m	13.00	11.80
<b>H</b> Max. front swing radius	m	2.80	2.10
<b>D</b> Max. depth	m	4.30	2.90
<b>F</b> Max. reach	m	11.80	10.50
<b>G</b> Max. reach at ground level	m	11.70	10.40
<b>R</b> Rear swing radius	m	2.75	2.75
<b>S</b> Cab height	m	3.13	3.13
<b>T</b> Max. lifted cab height	m	5.60	5.60
<b>U</b> Cab height increase	m	2.47	2.47



## LIFTING CAPACITY

### STANDARD UNDERCARRIAGE 2.50 m

P4A down - DIPPERSTICK 3.80 m														
Height	Reach								At max reach					
	3.5		4.5 m		6.0 m		7.5 m		9.5		10.5		Front	360°
Front	360°	Front	360°	Front	360°	Front	360°	Front	360°	Front	360°			
9.0 m			9.8*	9.8*	8.0*	8.0*	4.8*	4.8*				4.6*	4.6*	7.5
7.5 m			10.1*	10.1*	8.0*	8.0*	6.7*	6.0				4.4*	4.4*	8.8
6.0 m	14.5*	14.5*	10.6*	10.6*	8.2*	8.2*	6.7*	5.9	5.6	4.4		4.3*	3.9	9.6
4.5 m	18.0*	18.0*	11.5*	11.5*	8.6*	8.2	6.8*	5.8	5.5	4.3		4.3*	3.6	10.2
3.0 m			12.1*	12.1*	8.8*	7.8	6.8*	5.6	5.4	4.2		4.2*	3.4	10.5
1.5 m			8.3*	8.3*	8.4*	7.5	6.5*	5.4	5.1*	4.1	3.7*	3.7*	3.3	10.5
0.0 m			7.1*	7.1*	7.4*	7.3	5.8*	5.2	4.5*	4.1		3.1*	3.1*	10.4
-1.5 m			6.2*	6.2*	5.8*	5.8*	4.7*	4.7*	3.4*	3.4*		2.4*	2.4*	10.0
-3.0 m														

P4A down - DIPPERSTICK 5.20 m														
Height	Reach								At max reach					
	3.5		4.5 m		6.0 m		7.5 m		9.5		10.5		Front	360°
Front	360°	Front	360°	Front	360°	Front	360°	Front	360°	Front	360°			
9.0 m					7.0*	7.0*	5.9*	5.9*	3.8*	3.8*		3.2*	3.2*	9.3
7.5 m					7.2*	7.2*	6.2*	6.2*	5.4*	4.6		3.0*	3.0*	10.3
6.0 m			9.2*	9.2*	7.5*	7.5*	6.3*	6.1	5.4*	4.5	4.3*	3.5	3.0*	11.0
4.5 m			10.2*	10.2*	7.9*	7.9*	6.5*	5.9	5.4*	4.4	4.4	3.5	3.0*	11.5
3.0 m	18.0*	18.0*	11.4*	11.4*	8.4*	8.1	6.6*	5.7	5.4	4.3	4.3	3.4	3.1*	11.8
1.5 m			11.9*	11.9*	8.6*	7.7	6.6*	5.4	5.3	4.1	4.2	3.3	3.2*	11.8
0.0 m	3.7*	3.7*	9.7*	9.7*	8.2*	7.3	6.3*	5.2	5.0*	4.0	3.9*	3.2	2.9*	11.7
-1.5 m	4.4*	4.4*	8.1*	8.1*	7.1*	7.1	5.6*	5.1	4.3*	3.9	3.2*	3.2	2.4*	11.3
-3.0 m			6.5*	6.5*	5.5*	5.5*	4.4*	4.4*	3.3*	3.3*	2.0*	2.0*		

### HEAVY DUTY UNDERCARRIAGE 2.75 m

P4A down - DIPPERSTICK 3.80 m														
Height	Reach								At max reach					
	3.5		4.5 m		6.0 m		7.5 m		9.5		10.5		Front	360°
Front	360°	Front	360°	Front	360°	Front	360°	Front	360°	Front	360°			
9.0 m			9.8*	9.8*	8.0*	8.0*	4.8*	4.8*				4.6*	4.6*	7.5
7.5 m			10.1*	10.1*	8.0*	8.0*	6.7*	6.5				4.4*	4.4*	8.8
6.0 m	14.5*	14.5*	10.6*	10.6*	8.2*	8.2*	6.7*	6.4	5.6*	4.8		4.3*	4.3	9.6
4.5 m	18.0*	18.0*	11.5*	11.5*	8.6*	8.6*	6.8*	6.3	5.6	4.7		4.3*	3.9	10.2
3.0 m			12.1*	12.1*	8.8*	8.6	6.8*	6.1	5.4	4.6		4.2*	3.7	10.5
1.5 m			8.3*	8.3*	8.4*	8.2	6.5*	5.9	5.1*	4.5	3.7*	3.7*	3.6	10.5
0.0 m			7.1*	7.1*	7.4*	7.4*	5.8*	5.8	4.5*	4.5		3.1*	3.1*	10.4
-1.5 m			6.2*	6.2*	5.8*	5.8*	4.7*	4.7*	3.4*	3.4*		2.4*	2.4*	10.0
-3.0 m														

P4A down - DIPPERSTICK 5.20 m														
Height	Reach								At max reach					
	3.5		4.5 m		6.0 m		7.5 m		9.5		10.5		Front	360°
Front	360°	Front	360°	Front	360°	Front	360°	Front	360°	Front	360°			
9.0 m					7.0*	7.0*	5.9*	5.9*	3.8*	3.8*		3.2*	3.2*	9.3
7.5 m					7.2*	7.2*	6.2*	6.2*	5.4*	5.0		3.0*	3.0*	10.3
6.0 m			9.2*	9.2*	7.5*	7.5*	6.3*	6.3*	5.4*	4.9	4.3*	3.8	3.0*	11.0
4.5 m			10.2*	10.2*	7.9*	7.9*	6.5*	6.5	5.4*	4.8	4.4	3.8	3.0*	11.5
3.0 m	18.0*	18.0*	11.4*	11.4*	8.4*	8.4*	6.6*	6.2	5.4*	4.7	4.4	3.7	3.1*	11.8
1.5 m			11.9*	11.9*	8.6*	8.4	6.6*	6.0	5.3*	4.5	4.3	3.6	3.2*	11.8
0.0 m	3.7*	3.7*	9.7*	9.7*	8.2*	8.0	6.3*	5.8	5.0*	4.4	3.9*	3.5	2.9*	11.7
-1.5 m	4.4*	4.4*	8.1*	8.1*	7.1*	7.1*	5.6*	5.6	4.3*	4.3	3.2*	3.2*	2.4*	11.3
-3.0 m			6.5*	6.5*	5.5*	5.5*	4.4*	4.4*	3.3*	3.3*	2.0*	2.0*		

- Lift capacities are taken in accordance with SAE J 1097/ISO 10567/DIN 15019-2.
- Lift capacities shown in tons do not exceed 75% of the tipping load or 87% of the hydraulic lift capacity.

- Capacities that are marked with an asterisk are hydraulic limited.
- The machine must be parked on firm, level ground, with stabilisers and/or blade on the ground.

### Worldwide Case Construction Equipment Contact Information

**EUROPE/AFRICA/MIDDLE EAST:**  
Centre D'affaires EGB  
5, Avenue Georges Bataille - BP 40401  
60671 Le Plessis-Belleville - FRANCE

**NORTH AMERICA/MEXICO:**  
700 State Street  
Racine, WI 53404 U.S.A.

**LATIN AMERICA:**  
Av. General David Sarnoff 2237  
32210 - 900 Contagem - MG  
Belo Horizonte BRAZIL

**ASIA PACIFIC:**  
Unit 1 - 1 Foundation Place - Prospect  
New South Wales - 2148 AUSTRALIA

**CHINA:**  
No. 29, Industrial Premises, No. 376,  
De Bao Road, Waigaoqiao Ftz, Pudong,  
SHANGHAI, 200131, P.R.C.



The call is free from a land line. Check in advance with your Mobile Operator if you will be charged.

**NOTE:** Standard and optional fittings can vary according to the demands and specific regulations of each country. The illustrations may include optional rather than standard fittings - consult your Case dealer. Furthermore, CNH reserves the right to modify machine specifications without incurring any obligation relating to such changes.



Conforms to directive 98/37/CE

### CASE Construction Equipment

CNH UK Ltd  
Unit 4,  
Hayfield Lane Business Park,  
Field Lane, Auckley,  
Doncaster,  
DN9 3FL  
Tel. 00800-2273-7373  
Fax +44 1302 802829

[www.casece.com](http://www.casece.com)

